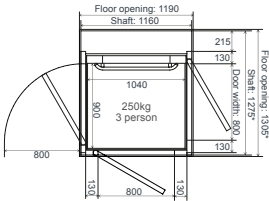


The Gartec 7000 Platform Lift Range



Commercial and
Public Access Lifts

Internal
External

Light Goods

GARTEC
LEADING THE PLATFORM LIFT INDUSTRY

Welcome to Gartec Platform Lifts



ABOUT

Gartec are the leading UK supplier of platform lifts, and with over 20 years' experience we have almost certainly worked on a similar project to yours.

Wholly owned by our Swedish manufacturer, Aritco, we have influence and control over the factory process.

Priding ourselves on fantastic customer service, we provide a full turnkey solution, including project management, site visits, free drawings and BIM objects, and an in house maintenance team.

CONTACT

Gartec Ltd.,
Unit 6, Midshires Business Park
Smeaton Close, Aylesbury
Buckinghamshire, HP19 8HL

Opening hours
Mon - Fri 8:30am - 5:30pm

01296 397100
www.gartec.com
sales@gartec.com



SHOWROOM

Our showroom allows you and your clients to try our lifts and see some of the optional features. Just get in touch to arrange a visit on 01296 397100.

Finding us:
Unit 6, Midshires Business Park,
Smeaton Close, Aylesbury,
Buckinghamshire, HP19 8HL

Opening times:
Mon-Fri 9am - 5pm

Introducing the Gartec 7000 Range

7000

The most **versatile** platform lift on the market, the Gartec 7000 is a simple, cost effective solution for access in almost any building

The 7000 range uses our screw & nut system - quiet, efficient and safe. Choose from a huge selection of finishes and colours



7000 Flexi

The 7000 flexi is designed for easy, fast and safe **light goods** use, including protective features and higher weight limits to handle trolleys.

Our in house engineers install the 7000 range in around 2-3 days, and the modular structure is delivered to site on the day you pick.



7000 XT

Our external platform lift, the 7000 XT is ideal for **outdoor environments** with weather resistant features and door canopy.

Gartec servicing packages ensure your lift condition - with packages to suit all budgets and requirements. Our nationwide network of engineers are on hand 24/7 for peace of mind.



Gartec 7000

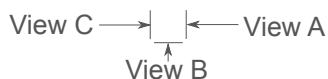
Technical Details

Our most versatile platform lift

TECHNICAL

Type of Lift	Internal platform lift for public and commercial environments
Useage	Passenger platform lift
Environment	Internal only
Travel	250mm - 13,000 mm
No. of Floors	2 - 6
Top Height	2240mm (minimum) No head fixing required
Pit / Ramp	50mm (pit or ramp)
Rated Speed	0.15m/s
Drive System	Screw and Nut System with Emergency Battery Backup
Platform Controls	Hold to Run
Landing Controls	Single Press Operation
Power Req.	1 Phase, 230V, 20A (standard) *3 Phase, 400V, 20A (500kg)
Motor	2.2kW
Shaft	Supplied, self supporting Glass or solid panels
Doors	Full height door as standard Half Height Gate available (under 2,000mm travel only)
Door Configuration	Doors on any 2 of 3 sides on each landing
Compliance	EN81-41 ISO 9001:2008 Machinery Directive Compliant Part M Compliant

****Doors B Side: Add 25mm to structural opening width**



BIM Objects

Gartec provide free platform lift BIM Objects for each size and door layout on the NBS Library and at www.gartec.com



7000 Lift with glass panels and RAL colour

DIMENSIONS

Platform Size	Rated Load	Structural Opening**	Shaft Size	Equality Act Compliance
900 x 1040mm	250 kg	1305 x 1190mm	1275 x 1160mm	N/A
900 x 1280mm	410 kg	1305 x 1430mm	1275 x 1400mm	N/A
900 x 1480mm	410 / 500* kg	1305 x 1630mm	1275 x 1600mm	Through or Single Entry
1000 x 1280mm	410 kg	1405 x 1430mm	1375 x 1400mm	N/A
1000 x 1480mm	410 / 500* kg	1405 x 1630mm	1375 x 1600mm	Through or Single Entry
1000 x 1980mm	500* kg	1405 x 2130mm	1375 x 2100mm	Through or Single Entry
1100 x 1480mm	410 / 500* kg	1505 x 1630mm	1475 x 1600mm	Through, Single or Adjacent
1100 x 1580mm	500* kg	1505 x 1730mm	1475 x 1700mm	Through, Single or Adjacent

*500kg models require 3 phase power

Gartec 7000 Flexi Technical Details

The 7000 Flexi Model is tailored for simple **light goods** use

BREEAM & Platform Lifts

A platform lift waives 2 points from your overall BREEAM requirement, giving a better overall sustainability rating for the building.



7000 Flexi
Light Goods Lift

TECHNICAL

Type of Lift	Internal platform lift for public and commercial environments
Useage	Light goods & passenger platform lift
Environment	Internal only
Travel	250mm - 13,000 mm
No. of Floors	2 - 6
Top Height	2240mm (minimum) No head fixing required
Pit / Ramp	50mm (pit or ramp)
Rated Speed	0.15m/s
Drive System	Screw and Nut System with Emergency Battery Backup
Platform Controls	Hold to Run
Landing Controls	Single Press Operation
Power Req.	1 Phase, 230V, 20A (standard) *3 Phase, 400V, 20A (500kg)
Motor	2.2kW
Shaft	Supplied, self supporting Glass or solid panels
Doors	Full height door as standard Half Height Gate available (under 3,000mm travel only)
Door Configuration	Doors on any 2 of 3 sides on each landing
Compliance	EN81-41 ISO 9001:2008 Machinery Directive Compliant Part M Compliant
Additional Features	7000 Flexi (Goods) - Raised Curb on Platform - Higher load capacity

DIMENSIONS

Platform Size	Rated Load	Structural Opening**	Shaft Size	Equality Act Compliance
900 x 1480mm	410 / 500* kg	1305 x 1630mm	1275 x 1600mm	Through Car or Single Entry
1000 x 1480mm	410 / 500* kg	1405 x 1630mm	1375 x 1600mm	Through Car or Single Entry
1000 x 1980mm	500* kg	1405 x 2130mm	1375 x 2100mm	Through Car or Single Entry
1100 x 1480mm	410 / 500* kg	1505 x 1630mm	1475 x 1600mm	Through, Single or Adjacent
1100 x 1580mm	500* kg	1505 x 1730mm	1475 x 1700mm	Through, Single or Adjacent

*500kg models require 3 phase power

**Doors B Side: Add 25mm to structural opening width

Gartec 7000 XT

Technical Details

The 7000XT is tailored for **external** installation

TECHNICAL

Type of Lift	External platform lift for public and commercial environments
Usage	External passenger platform lift
Environment	External / External to Internal Temp. min. -5 - max. +40 Windloads up to 10m/s** 2 supporting walls required
Travel***	250 - 3,500 mm freestanding Up to 13,000mm dependent on wind loads & site condition
No. of Floors	2 - 6***
Top Height	2240mm (minimum) No head fixing required
Pit / Ramp	50mm (pit or ramp) Threshold & pit drain recommended
Rated Speed	0.15m/s
Drive System	Screw and Nut System with Emergency Battery Backup
Platform Controls	Hold to Run
Landing Controls	Single Press Operation
Power Req.	1 Phase, 230V, 20A (standard) 3 Phase, 400V, 20A (500kg)
Motor	2.2kW
Shaft	Supplied, self supporting Glass or solid panels
Doors	Full height door only
Door Configuration	Doors on any 2 of 3 sides on each landing
Compliance	EN81-41 ISO 9001:2008 Machinery Directive Compliant Part M Compliant
Additional Features & Options	7000 XT (External) - Overhead Door Canopy - Guttering / Drainage - Ventilation / Heating - Chromated Screw (Rustless)

**Where wind loads exceed 10m/s, a windshield or external building around the shaft is required.

***Where heights exceed 3,500mm, further site requirements may apply - get in touch for details.

Did you know...

Our platform lifts are made from 95% recyclable materials, helping to make any project more sustainable.

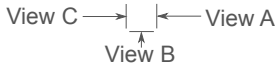


*Doors B Side: Add 25mm to structural opening width

View C → | | ← View A
↑
View B

DIMENSIONS

Platform Size	Rated Load	Structural Opening*	Shaft Size	Equality Act Compliance
1100 x 1480mm	410 / 500* kg	1505 x 1630mm	1475 x 1600mm	Through, Single or Adjacent

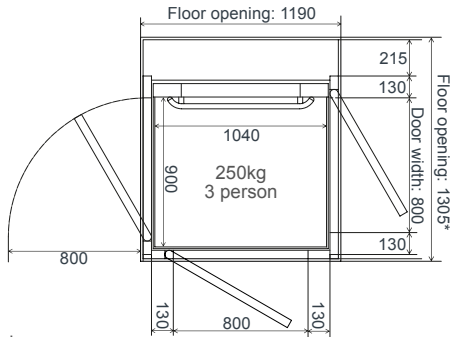


Plan views include running machinery space

The 7000 Range

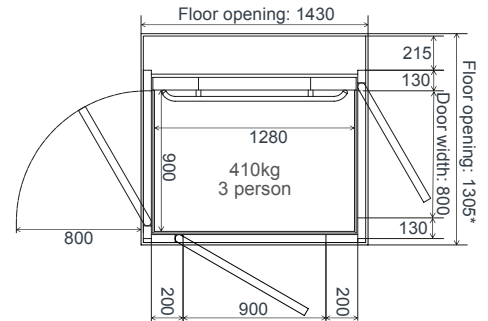
Plan Views & Dimensions

900 x 1040mm



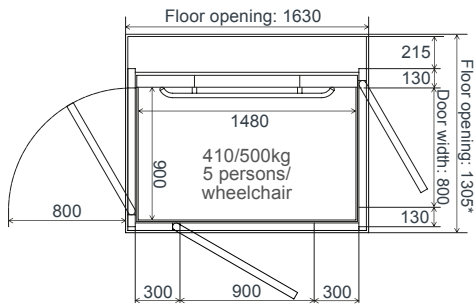
Doors A/C Side: as shown
*Doors B Side: Opening width +25mm

900 x 1280mm



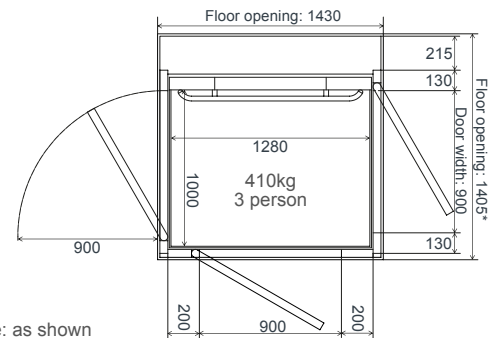
Doors A/C Side: as shown
*Doors B Side: Opening width +25mm

900 x 1480mm



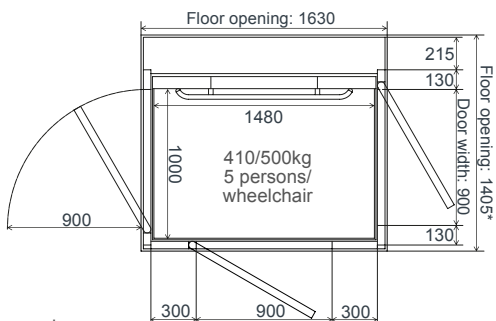
Doors A/C Side: as shown
*Doors B Side: Opening width +25mm

1000 x 1280mm



Doors A/C Side: as shown
*Doors B Side: Opening width +25mm

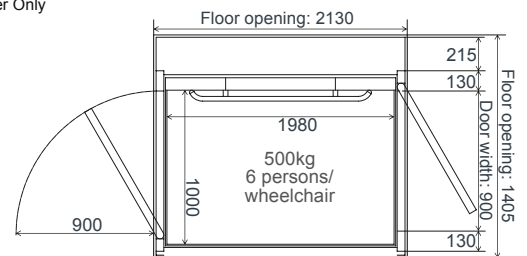
1000 x 1480mm



Doors A/C Side: as shown
*Doors B Side: Opening width +25mm

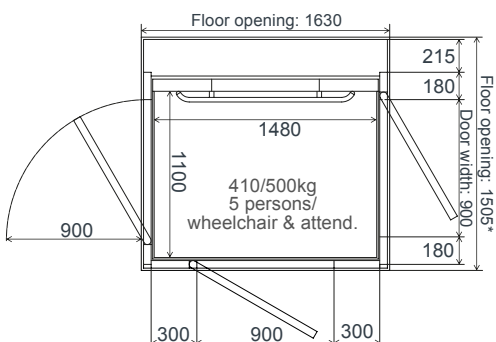
1000 x 1980mm

3 Phase Power Only



Doors A/C Side: as shown
Doors B Side not available

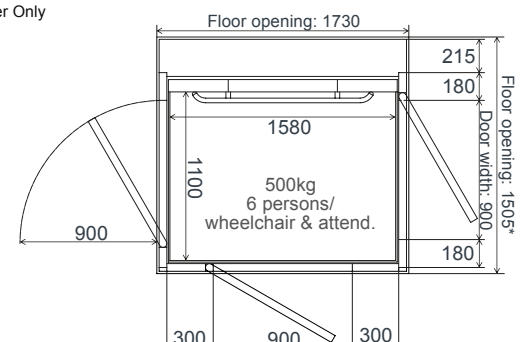
1100 x 1480mm



Doors A/C Side: as shown
*Doors B Side: Opening width +25mm

1100 x 1580mm

3 Phase Power Only



Doors A/C Side: as shown
*Doors B Side: Opening width +25mm

A red flag indicates 500kg capacity available, and standard Part M compliance, whilst black flags may require building control compensation.

The 7000 Range Options & Additions

Options and features
to tailor the exterior of any
of the 7000 range lifts

DOORS



GL Door & Concealed Closer
Glass & steel door with
concealed closer and aluminium
trim to glass areas.



Fire Door
60 minutes fire & smoke protection.
Includes concealed door closer
and aluminium trim to glass areas.
*Note: to make shaft fire resistant,
cladding must be applied to the
outside of the shaft by the client.*



Half Height Gate (Top Floor)
Includes concealed door closer
and aluminium trim to glass areas.
Maximum travel height 2m.
Not available on the 7000 XT.



Automatic Door Opener
Press the button on the landing
call station and the lift doors open.
Replaces the standard concealed
door closer.

OPENING



Landing Call Station
Standard call button placed on
door frame with back light in red
and green for arrival indication.
Available in aluminium or stainless
steel finish.



Key Locking
A key can be used to call and
use the lift instead of a button to
restrict access.
The doors lock 10 seconds after
closing.



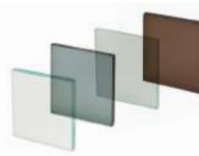
Remote Call Station
Mounted away from the lift,
either flush or protruding.
Allows the user to call the lift
whilst away from the doors.

ENTRY



Ramped Entry
Choose from a 50mm pit, or
50mm galvanised steel ramp at
the lowest floor level where a
pit is not possible.
*Note: threshold and pit drains
recommended on 7000XT.*

WALLS & SHAFT

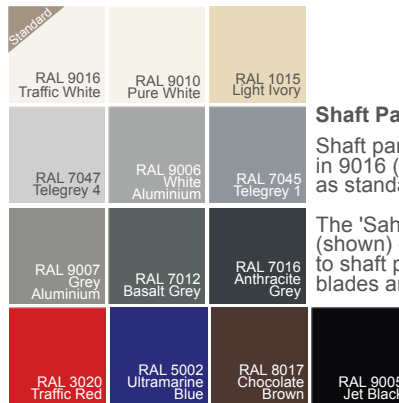


Glazing Tints (Doors & Shaft)

For doors and shaft, choose:

- Clear Glass (JT10)
- Tinted Glass (JT16)
- Frosted Glass (JT23)
- Dark Tinted Glass (JT5)

Shaft panels are available in 3
heights, or custom to 2500mm.



Shaft Panel Colours

Shaft panels are painted in
9016 (Traffic White)
as standard.

The 'Sahara' range
(shown) can be applied
to shaft panels, door
blades and door frames.

HANDLES



Aluminium Door Handle

Closed end rod style door handle
with finger print resistant finish.

Matches standard internal handrail



Brushed Steel Door Handle

Closed end rod style door handle
with brushed stainless steel
fingerprint resistant finish.

Matching internal handrail available



7000 range with Key Locking System

Features & design options to tailor the interior of any of the 7000 range lifts

The 7000 Range Options & Additions

PLATFORM

Standard



Half Height Console
As standard on the 7000.
Half height panel houses controls and handrail, with safety stop edge.
Total height: 1100mm



Full Height Console with Mirror
Full height panel houses controls, large mirror, handrail and safety stop edge.
Total height: 2000mm

COMMUNICATION

Standard



Alarm Button
Fitted on the lift as standard, when pressed a buzzer sounds.



Intercom
The platform handset links to an externally mounted handset for communication between the two.



Telephone
Attached to the platform, this can be used like a normal phone.
Intended for emergencies only.



Autodialler
Integrated in the control panel, the autodialler rings a set of pre-entered numbers when the alarm button is pressed.
When unanswered, the next number is called.

LIGHTING

Standard



Fluorescent Shaft Ceiling Light
A fluorescent bar light is fitted as standard to the inside roof of the shaft for safety.



LED Shaft Ceiling Lights
LED lighting option for the inside roof of the shaft for safety and aesthetics.

DESTINATION

Standard



Destination Buttons
Finished in gloss black, matte black or metal effect with tactile and braille markings as standard.



Platform Floor Indicator
A voice and LED display notifying the user of the landing reached and the current position of the lift whilst travelling.
Positioned on the control panel on the platform.
Compulsory over 3m travel.



Landing Position Indicator
Illuminated LED display showing the current position of the lift from outside.
Positioned on exterior of the lift.

FLOORING

Standard

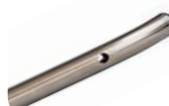


Platform Flooring
Choose from 9 flooring options, or select your own flooring.

RAILS



Aluminium Platform Handrail
Closed end rod style handrail with finger print resistant finish.

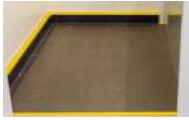


Brushed Steel Platform Handrail
Closed end rod style handrail with brushed steel fingerprint resistant finish.
Matching door handle available.

Gartec 7000 Flexi & XT Specialist Options & Additions

7000 FLEXI OPTIONS

LIGHT GOODS



Raised Platform Kerb

Around the edge of the platform, a 90mm high curb prevents damage to shaft walls from impact during loading, or from rubbing during travel.



Higher Rated Load

Particularly useful for light goods use, the rated load can be increased to 500kg. Models at 500kg require a 3ph power supply.

This must be selected during ordering as load testing completed during commissioning.



7000 Flexi with Raised Kerb

7000 XT OPTIONS

STANDARD



Ventilation System

A ventilation fan is installed in the top of the shaft, including upper panels with fan holes, and lower panels with ventilation holes.



Weather-proof Enhancements

Corrosion-resistant guides, screw and covers, along with water resistant call button protection, door brush strip and outdoor suitable oil is used for external installations.

SHAFT



Heating System

A 2000W heater placed at the bottom of the shaft prevents freezing during winter.

External power socket required.



Higher Rated Load

Particularly useful for light goods use, the rated load can be increased to 500kg. The higher load requires a 3ph power supply.

This must be selected during ordering as load testing is completed during commissioning.

EXTERNAL



Exterior Door Canopy

Sloping roof placed above landing doors to protect doors and users from poor weather. Made of galvanised steel, painted in RAL 9016 (Traffic White) as standard.

Width: 1160mm
Slope Angle: 23 degrees



Exterior Roof

If the top landing is external and not installed in a pre-built shaft then an exterior roof is required. Made of galvanised steel and painted in RAL 9016 (Traffic White) as standard.

An inner ceiling with light must be ordered with the exterior roof.



7000 XT External Lift

Did you know...

Gartec maintenance packages include comprehensive checks and LOLER to keep you safe.



The 7000 Range Gallery & Examples

Be inspired by some
of our previous projects



"It blends well with our decor -
ideal for a high end showroom"
Motorline Renault, 7000



"A platform lift meant much less
space was used - its very reliable
and works very well"
Abbeyside, 7000 Flexi



"The kerb has stopped any damage
to the shaft - its bulletproof!"
Matalan, 7000 Flexi



Platform Lifts for Commercial & Public Buildings

GARTEC

LEADING THE PLATFORM LIFT INDUSTRY

As the UK's market leaders in platform lifts, Gartec have over 20 years' experience in a huge range of projects, environments, locations & specifications.

Providing planning support and design work, installation, maintenance, servicing and spare parts, Gartec offer a complete lifetime solution for commercial access needs.

Wholly owned by our manufacturer, Aritco Lifts, and founder members of LEIA, Gartec are leading the way in the platform lift industry.



Gartec is an **ARITCO**™ Group Company



Intertek
ISO 9001
OHSAS 18001

