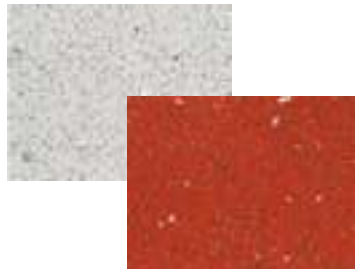


# The Gartec 5000 MRL Traction Cabin Lift



Total  
Access  
Cabin Lifts

—  
Ideal for Public &  
Commercial Buildings

**GARTEC**  
LEADING THE PLATFORM LIFT INDUSTRY

# Introducing the Gartec 5000 Lift

## ABOUT

Gartec are the leading UK supplier of platform lifts, and with over 20 years' experience we have almost certainly worked on a similar project to yours.

Priding ourselves on fantastic customer service, we provide a full turnkey solution, including project management, site visits, free drawings and BIM objects, and an in house installation and maintenance team ready to go across the country.



## THE 5000

The Gartec 5000 is designed with simplicity in mind. It looks, feels, performs and operates like a conventional passenger lift. With no machine room or deep pit required, it offers complete freedom in design and simple usability, providing total safety in use.

The energy efficient traction drive and fully automatic telescopic doors make it a versatile, cost effective passenger lifting solution.



## CONTACT

Gartec Ltd.,  
Unit 6, Midshires Business Park  
Smeaton Close, Aylesbury  
Buckinghamshire, HP19 8HL

Opening Hours  
Mon - Fri 8:30am - 5:30pm

01296 397100  
[www.gartec.com](http://www.gartec.com)  
[sales@gartec.com](mailto:sales@gartec.com)



# Gartec 5000

## Technical Details

Technical specification  
for the 5000 cabin lift

### TECHNICAL

Type of Lift	Internal platform cabin lift Public / commercial environments
Useage	Traction platform cabin lift for total passenger access
Environment	Internal or External
Travel	250mm - 14,600 mm
No. of Floors	2 - 6
Headroom	2700mm
Cabin Sizes	1140 x 1400mm 1000 x 1380mm
Pit / Ramp	120mm (140mm with supporting structure) or ramp of same size
Rated Speed	0.15m/s
Capacity	400kg
Drive System	Double belt traction drive system
Controls	One touch operation throughout
Power Req.	230V, 25amp, 50Hz dedicated circuit with type B breaker
Motor	1.7kW as standard 2.2kW uprated with counterweight
Emergency Backup	36V battery backup, and Emergency Movement Operation (EMO) unit external to a landing
Shaft	Masonry/concrete by others or self supporting steel structure
Doors	Fully automatic telescopic sliding doors
Compliance <i>(where applicable)</i>	CE Marked EN81-70 BS 6440 BS8300:2009 + A1:2010 Machinery Directive Building Regulations Document M

### Lift Maintenance

Gartec provide key servicing and  
maintenance packages for lifts,  
improving lifespan and safety.



Concrete / masonry  
shaft or self supporting  
steel structure

Standard telescopic  
doors, glass  
or fire rated options

No machine  
room required

Adjacent,  
single entry or  
through car  
door configuration

120-140mm  
pit or ramp



### SAFETY

#### Certification

ISO 9001:2008  
CHAS  
Achilles  
OHSAS 18001  
Intertek

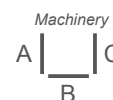
#### Lift Safety Features

EMO unit  
Alarm button  
Internal communication  
Overspeed governor  
Overload control  
Electrical safety locks  
Pit safety stop

### CONFIGURATION

Choose from the following door layouts  
at each floor:

Single entry - A or C  
Single entry opposite - B  
Through car - A & C  
Adjacent entry - A & B / B & C



*NB: internal cabin doors required for each  
entry so 3 side entry over travel not possible.*

# Gartec 5000

## Features & Options

Installed with great features as standard, the 5000 has safety and style built in.

### STANDARD FEATURES

#### 2 Speed Telescopic Door

A double layered automatic telescopic landing door in satin stainless steel effect.



#### Floor Selection Buttons

50x50mm braille and tactile buttons with blue backlight illumination on cabin control panel.

#### Inner Open & Close Buttons

Open and close the door from inside the cabin using these buttons.

#### Landing Floor Indicator

An LCD display showing which floor the lift is currently positioned at, with call accepted function. Located on the external landing control panel at each floor.

#### Cabin Floor Indicator

A 7" LCD display on the cabin controls which shows the current floor and travel direction during travel.

#### Voice Announcer

An audible announcer notifying the user of the landing, direction of travel, and doors opening/closing.

Located on the internal cabin control panel.

#### Cabin Handrail

Handrail installed on cabin wall for comfort and stability during travel.

Finished in aluminium as standard, or optional wood or stainless steel finish.



#### Handsfree Autodialler

The autodialler rings a set of up to 5 pre-entered phone numbers when pressed.

If unanswered the next number is automatically dialed. Dedicated phone line required by others.

#### Alarm Button

An audible alarm sounds when the alarm button is pressed from the cabin control panel. Pressing the alarm activates the autodialler.

#### LED Bar Light

An energy-saving LED bar light on the cabin ceiling.

#### Infrared Sensors

Infrared safety sensors around the cabin doorway sense blockages in doorway and prevent trapping.

### ENTRY OPTIONS

#### 3 Speed Telescopic Door

A triple layered automatic telescopic landing door. On a smaller cabin size, this allows a wider opening.

Available in stainless steel, marine grade stainless steel or special RAL colours, as well as glass.



#### 4 Speed Telescopic Door

A 2x2 layer telescopic door with central opening. Available on the longest side of the lift only.

Available in stainless steel, marine grade stainless steel, special RAL colours or glass.



#### Fire Rated Door

Option for fire rating of doors to either 1 hour fire rated, or 2 hour smoke and fire protection.

### OTHER OPTIONS



#### "I-Button" Access Control

An electronic system offering fully programmable access to the lift and levels. Positioned on the interior control panel, and the external landing control where required.



#### Wall Mirror

A mirror panel is attached to the cabin wall for extra safety. Either half or full height of cabin wall.



#### Patterned Roof Light

Fluorescent lighting installed in cabin roof with patterned cover for stylish effect.

### Design Services

Let our design team do the hard work. Tell us what you want and we'll send you site specific drawings, quotes and advice for your lift space.



# Gartec 5000

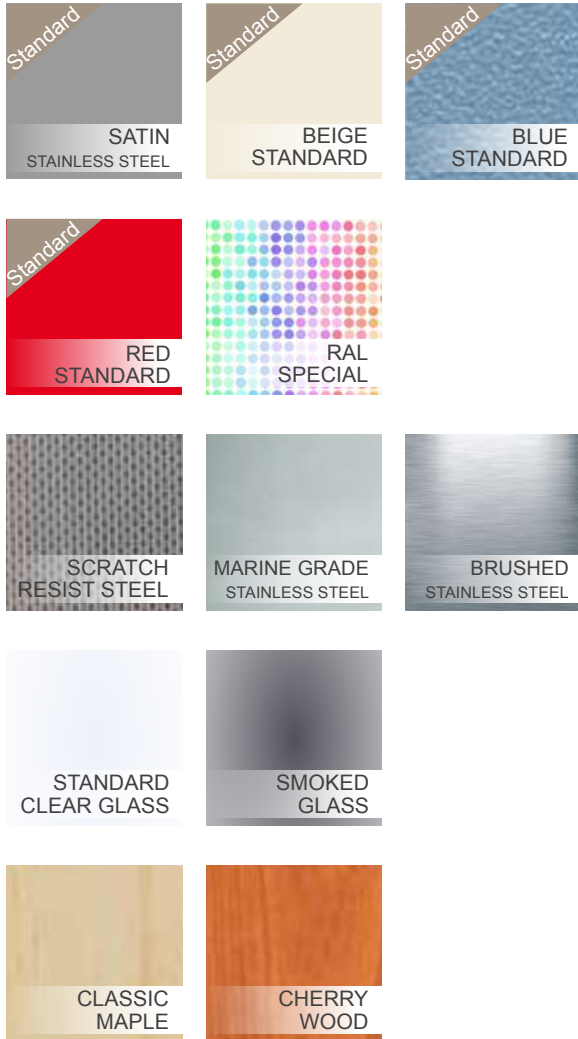
## Options & Additions

Options and colours  
to tailor your 5000 lift

### CABIN WALLS

#### Cabin Walls

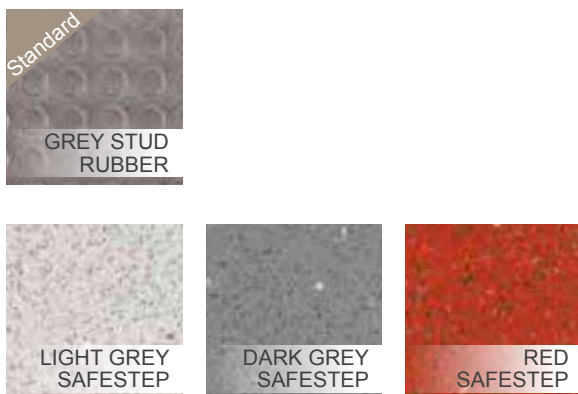
Choose from standard colour, glass or wood effect colours or select your own RAL colour for the internal cabin walls.



### FLOORING

#### Cabin Flooring

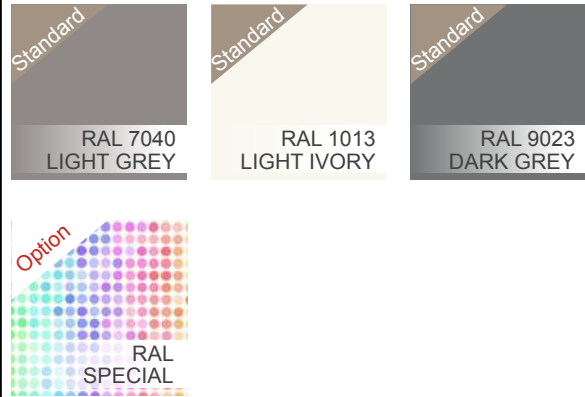
Choose from any of the flooring options below for the inside of the cabin.



### STRUCTURE

#### Supporting Structures

Select the colour for structural elements, including door frames and glass surround.



### STRUCTURE PANELS

#### Supporting Structure Panels

Select the material or colour of the shaft panels in the supporting structure, or clad the structure yourself.

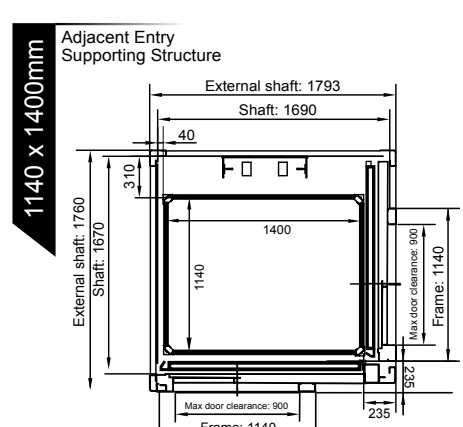
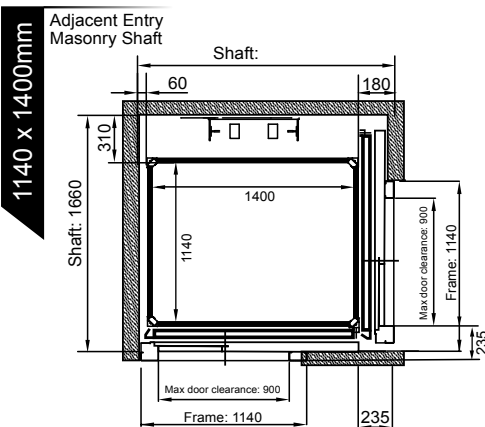
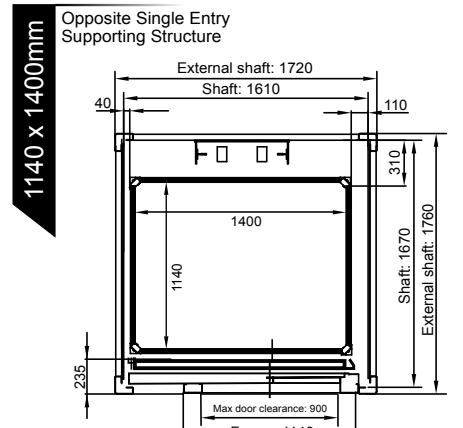
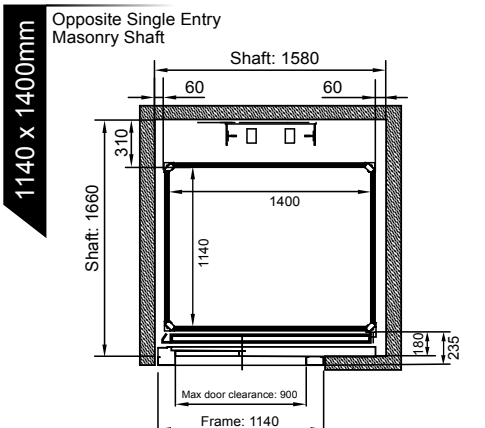
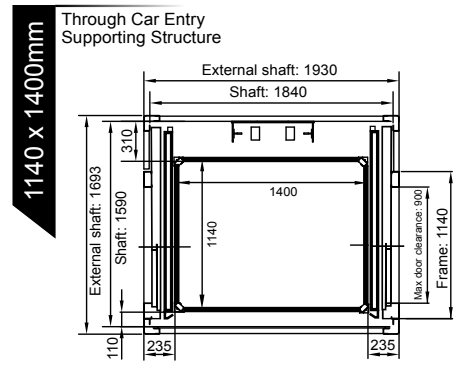
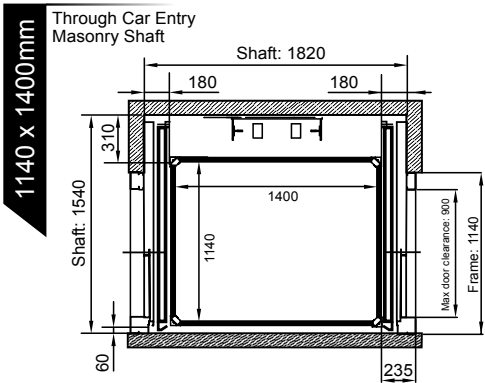
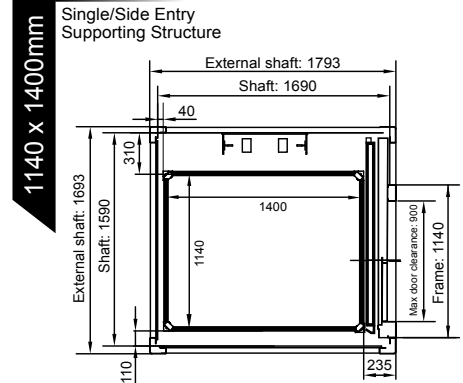
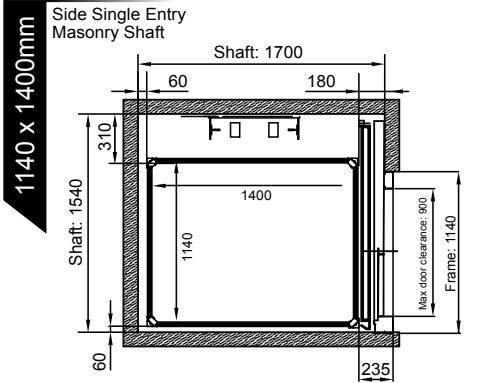


# Gartec 5000

## Plan Views & Diagrams

### Masonry Shaft with Telescopic Doors

### Supporting Structure with Telescopic Doors



# Cabin Lifts for Commercial & Public Buildings

# GARTEC

LEADING THE PLATFORM LIFT INDUSTRY

As the UK's market leaders in platform lifts, Gartec have over 20 years' experience in a huge range of projects, environments, locations & specifications.

Providing planning support and design work, installation, maintenance, servicing and spare parts, Gartec offer a complete lifetime solution for commercial access needs.

Gartec are founder members of LEIA, the Lift Industry Association, and are proud to be leading the way in the lift industry.



Gartec is an ARITCO Group Company



**Intertek**  
ISO 9001  
OHSAS 18001

